

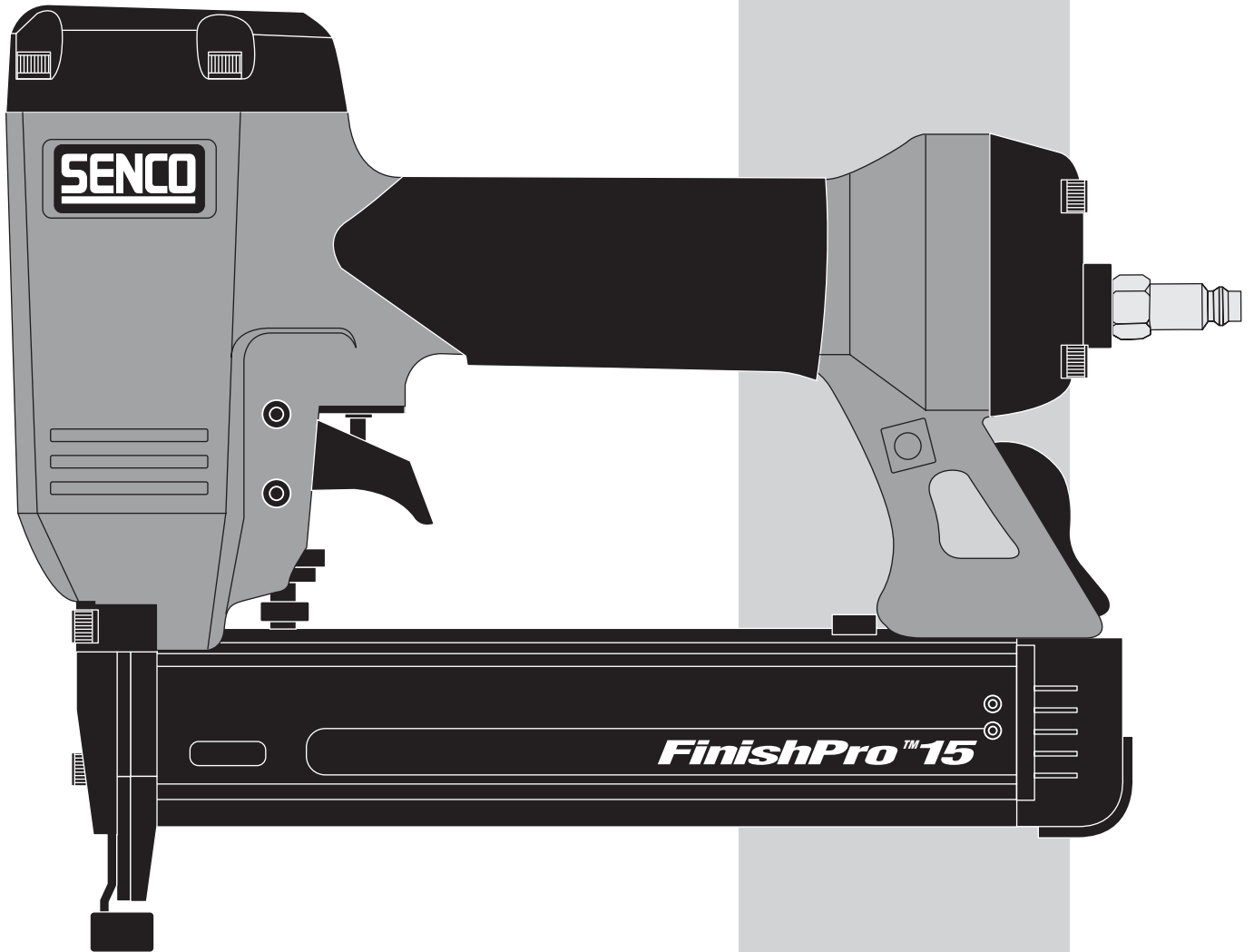


FinishPro™ 15

18 ga. Finish Nailer



Parts Reference Guide

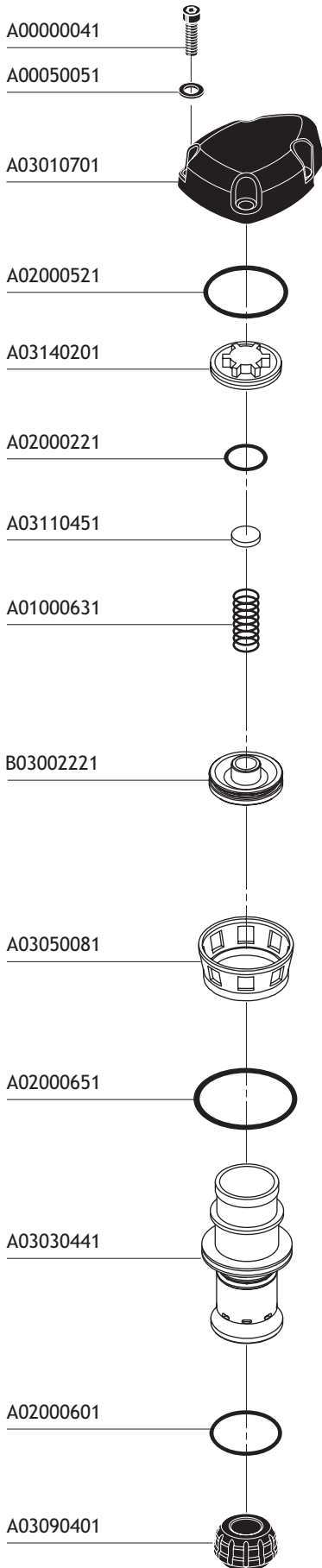


* Schematic Drawings inside

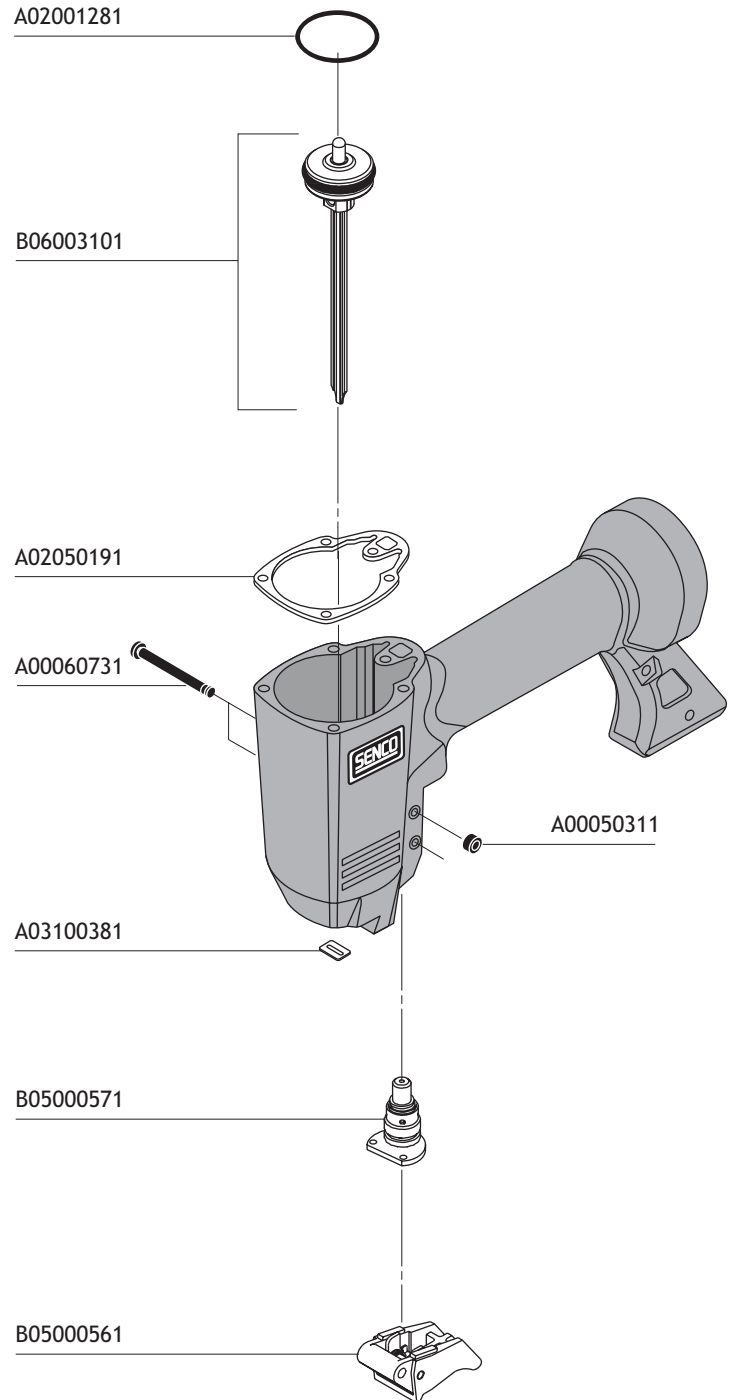
Senco Products Inc.
8485 Broadwell Road
Cincinnati, Ohio 45244

Questions? Comments? call Senco's toll-free Action-line:
1-800-543-4596 (North and South America Only)
or e-mail: toolprof@senco.com

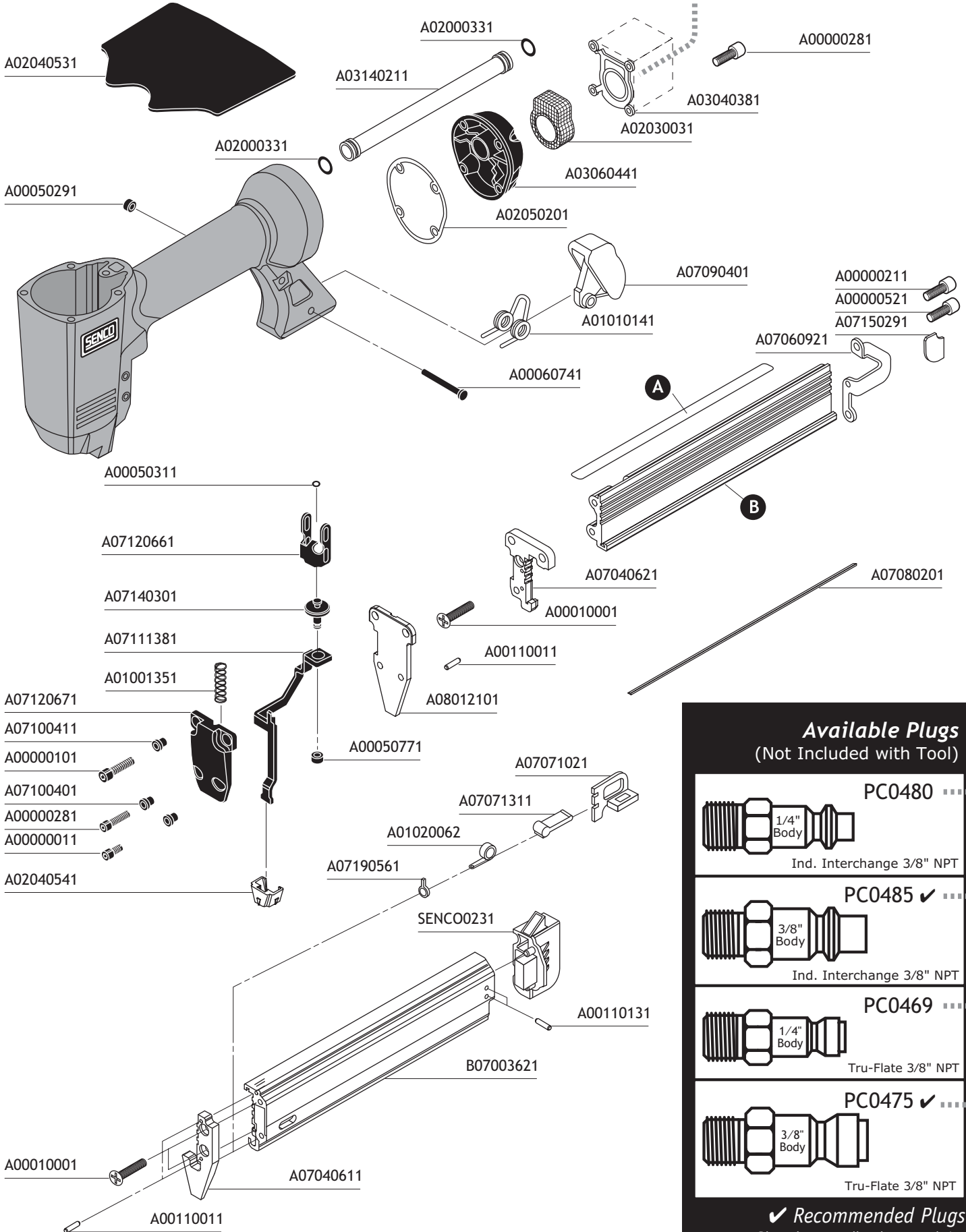
Visit Our Website: www.senco.com



Tool #	Model
1T0001N	Restrictive
1T1001N	Restrictive
1T2001N	Single-Sequential Actuation

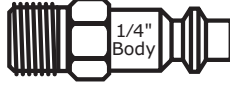





Tool #	Model	A	B
1T0001N	Restrictive (US)	A09230161	SENCO0271
1T1001N	Restrictive (Japan)	A09230251	SENCO0351
1T2001N	Single-Sequential Actuation (Euro)	A09230311	SENCO0311



NFG01T Issued February 13, 2002 ©2002 by SENCO Products, Inc. Cincinnati, Ohio 45244—U.S.A.

Available Plugs
(Not Included with Tool)

	PC0480
	Ind. Interchange 3/8" NPT
	PC0485 ✓
	Ind. Interchange 3/8" NPT
	PC0469
	Tru-Flate 3/8" NPT
	PC0475 ✓
	Tru-Flate 3/8" NPT

✓ **Recommended Plugs**
Plugs shown smaller than actual size

PART NO.	DESCRIPTION	DESCRIPCIÓN	BESCHREIBUNG	DÉSIGNATION
A00000011	SCREW	TORNILLO	SCHRAUBE	VIS
A00000041	SCREW	TORNILLO	SCHRAUBE	VIS
A00000211	SCREW	TORNILLO	SCHRAUBE	VIS
A00000281	SCREW	TORNILLO	SCHRAUBE	VIS
A00000521	SCREW	TORNILLO	SCHRAUBE	VIS
A00010001	SCREW	TORNILLO	SCHRAUBE	VIS
A00050051	WASHER	ARANDELA	SCHEIBE	RONDELLE
A00050291	RETAINER	JUNTA TÓRICA	SICHERUNGSRING	RETENUE
A00050311	RETAINER	JUNTA TÓRICA	SICHERUNGSRING	RETENUE
A00050771	SHAFT RING	ANILLO	REIFEN	ANNEAU
A00060731	PIN	PASADOR	STIFT	GOUPILLE
A00060741	PIN	PASADOR	STIFT	GOUPILLE
A00110011	PIN	PASADOR	STIFT	GOUPILLE
A00110131	PIN	PASADOR	STIFT	GOUPILLE
A01000631	SPRING	RESORTE	FEDER	RESSORT
A01001351	SPRING	RESORTE	FEDER	RESSORT
A01010141	SPRING	RESORTE	FEDER	RESSORT
A01020062	SPRING SET	RESORTE	FEDER	RESSORT
A02000221	SEAL	SELLO	DICHTUNG	JOINT
A02000331	SEAL	SELLO	DICHTUNG	JOINT
A02000521	SEAL	SELLO	DICHTUNG	JOINT
A02000601	SEAL	SELLO	DICHTUNG	JOINT
A02000651	SEAL	SELLO	DICHTUNG	JOINT
A02001281	SEAL	SELLO	DICHTUNG	JOINT
A02030031	MUFFLER	SILENCIADOR	DÄMPFER	SILENCIEUX
A02040531	HANDLE GRIP	AGARRADERO	GRIFF	GAINÉ EN CUIR
A02040541	NO-MAR PAD	AMORTIGUADOR	SCHUTZ	COUSSIN
A02050191	SEAL	SELLO	DICHTUNG	JOINT
A02050201	SEAL	SELLO	DICHTUNG	JOINT
A03010701	CYLINDER CAP	TAPA	KAPPE	BOUCHON
A03030441	CYLINDER	CILINDRO	ZYLINDER	CYLINDRE
A03040381	COVER	CUBIERTA	ABDECKUNG	COUVERCLE
A03050081	RETAINER	JUNTA TÓRICA	SICHERUNGSRING	RETENUE
A03060441	COVER	CUBIERTA	ABDECKUNG	COUVERCLE
A03090401	BUMPER	AMORTIGUADOR	PUFFER	AMORTISSEUR
A03100381	WASHER	ARANDELA	SCHEIBE	RONDELLE
A03110451	SEAL	SELLO	DICHTUNG	JOINT
A03140201	EXHAUST VALVE SITE	ASAMBLE DE VÁLVULA	VENTIL-ZUSAMMENBAU	VALVE D'ASSEMBLÉE
A03140211	TUBE	TUBO	ROHR	TUBE
A07090401	LATCH	UNETA	VERSCHLUSS	DOIGT DE RETENUE
A07040611	PLATE	PLACA	PLATTE	PLAQUE
A07040621	PLATE	PLACA	PLATTE	PLAQUE
A07060921	MAGAZINE SUPPORT	SOPORTE	HALTERUNG	CAVALIER
A07071021	FEEDER SHOE	ALIMENTADOR	NAGELSCHIEBER	POUSSOIR
A07071311	PLATE	PLACA	PLATTE	PLAQUE
A07080201	WEAR STRIP	CARRIL	SCHIENE	RAIL
A07100401	INSERT	ACOPLAMIENTO	EINSATZ	INSERT
A07100411	INSERT	ACOPLAMIENTO	EINSATZ	INSERT
A07111381	SAFETY ELEMENT	ASAMBLE DE SEGURO	SICHERHEITSVORRICHTUNG	PALPEUR DE SÉCURITÉ
A07120661	PLATE	PLACA	PLATTE	PLAQUE
A07120671	COVER	CUBIERTA	ABDECKUNG	COUVERCLE
A07140301	SAFETY ADJUSTMENT WHEEL	MANIVELA	RÄNDELSCHRAUBE	MOLETTE
A07150291	MAGAZINE SUPPORT	SOPORTE	HALTERUNG	CAVALIER
A07190561	SPRING HOLDER ARM	VARILLA DECONEXIÓN	GESTÄNGE	BIELLETTE
A08012101	GUIDE	GUÍA	FÜHRUNG	GUIDE
A09230161	LABEL (US)	ETIQUETA	AUFKLEBER	ÉTIQUETTE
A09230251	LABEL (JAPAN)	ETIQUETA	AUFKLEBER	ÉTIQUETTE
A09230311	LABEL (EU)	ETIQUETA	AUFKLEBER	ÉTIQUETTE
B03002221	PISTON ASSEMBLY	ASAMBLE DE PISTON	KOLBEN-ZUSAMMENBAU	ENSEMBLE PISTON-COUTEAU
B05000561	TRIGGER ASSY.	ASAMBLE DE GATILLO	AUSLÖSER	ENSEMBLE GÂCHETTE
B05000571	TRIGGER VALVE HEAD SET	ASAMBLE DE VÁLVULA	VENTIL-ZUSAMMENBAU	VALVE D'ASSEMBLÉE
B06003101	PISTON ASSEMBLY	ASAMBLE DE PISTON	KOLBEN-ZUSAMMENBAU	ENSEMBLE PISTON-COUTEAU
B07003621	UPPER MAGAZINE	CARGADOR	MAGAZIN	MAGASIN
SENCO0231	COVER	CUBIERTA	ABDECKUNG	COUVERCLE
SENCO0271	MAGAZINE ASSEMBLY (US)	ASAMBLE DE CARGADOR	MAGAZIN-ZUSAMMENBAU	ENSEMBLE MAGASIN
SENCO0311	MAGAZINE ASSEMBLY (EU)	ASAMBLE DE CARGADOR	MAGAZIN-ZUSAMMENBAU	ENSEMBLE MAGASIN
SENCO0351	MAGAZINE ASSEMBLY (JAPAN)	ASAMBLE DE CARGADOR	MAGAZIN-ZUSAMMENBAU	ENSEMBLE MAGASIN